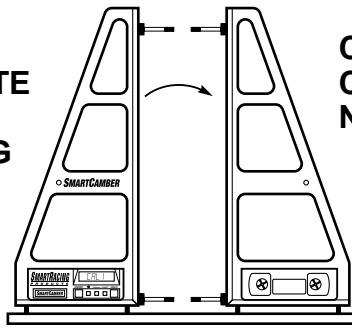


SmartCamber Tool Quick Reference

Squaring Frame

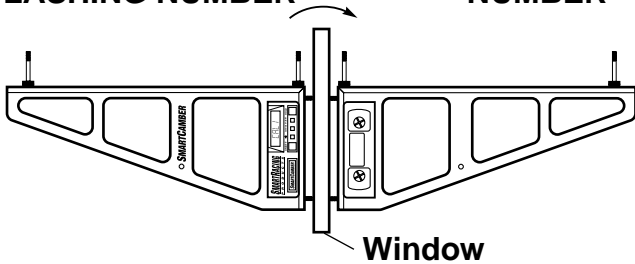
ON CALIBRATE CAL1 FLASHING NUMBER



CALIBRATE CAL2 NUMBER

Table Top

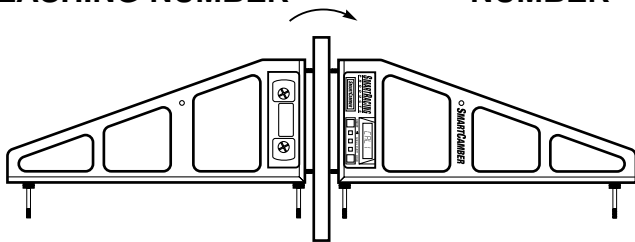
ON CALIBRATE CAL1 FLASHING NUMBER



CALIBRATE CAL2 NUMBER

Window

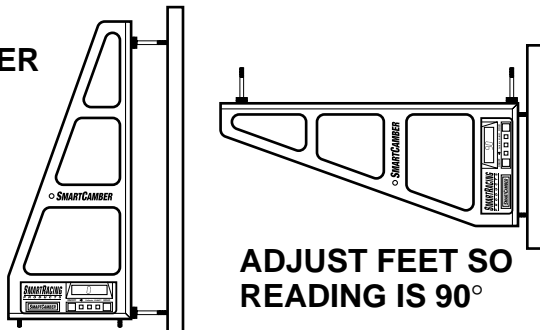
ON CALIBRATE CAL1 FLASHING NUMBER



CALIBRATE CAL2 NUMBER

NOTE: TOOL CAN BE USED AS A LEVEL FOR HORIZON AND PLUMB AT THIS POINT

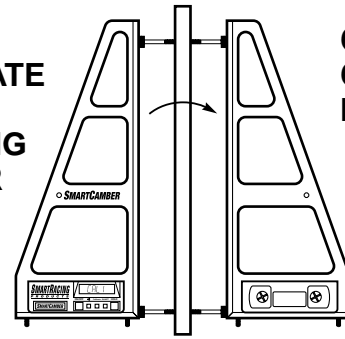
OFF CALIBRATE (HOLD) ON CAL2 NUMBER



ADJUST FEET SO READING IS 90°

Level Surface Alignment

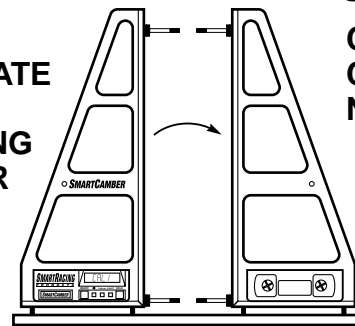
ON CALIBRATE CAL1 FLASHING NUMBER



CALIBRATE CAL2 NUMBER

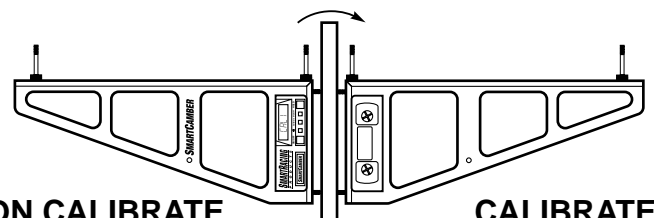
Non-Level Surface Alignment

ON CALIBRATE CAL1 FLASHING NUMBER



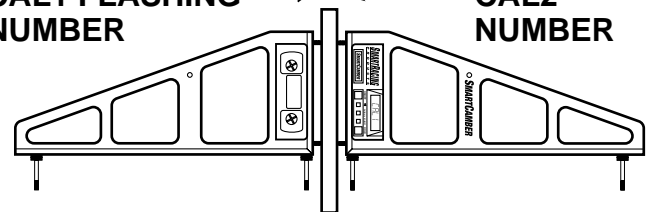
CALIBRATE CAL2 NUMBER

ON CALIBRATE CAL1 FLASHING NUMBER



CALIBRATE CAL2 NUMBER

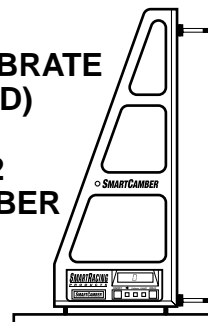
ON CALIBRATE CAL1 FLASHING NUMBER



CALIBRATE CAL2 NUMBER

NOTE: TOOL CAN BE USED AS A LEVEL FOR HORIZON AND PLUMB AT THIS POINT

OFF CALIBRATE (HOLD) ON CAL2 NUMBER



ZERO ADJUST

TOOL CAN ONLY BE USED TO ADJUST ONE WHEEL AT A TIME. DO A ZERO ADJUST AT EACH WHEEL. ONLY ZERO ADJUST STEP IS REPEATED.